

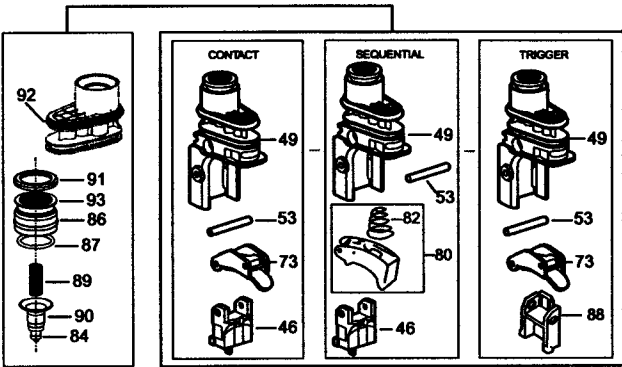
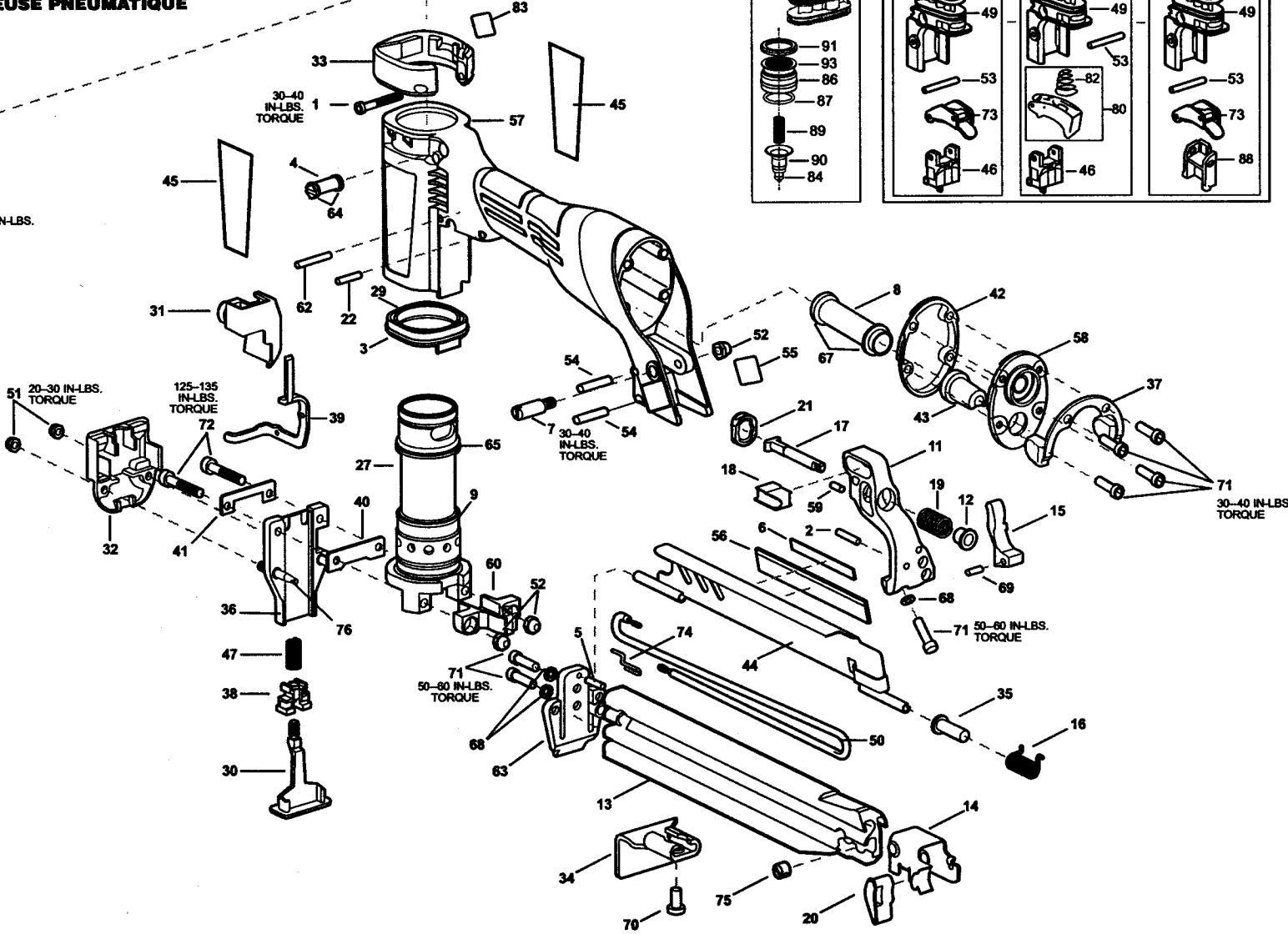
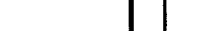
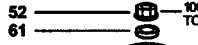
# 438S2R

**PNEUMATIC STAPLER**  
**ENGRAPADORA NEUMÁTICA**  
**AGRAFEUSE PNEUMATIQUE**

250-300 IN-LBS.  
TORQUE



100-110 IN-LBS.  
TORQUE

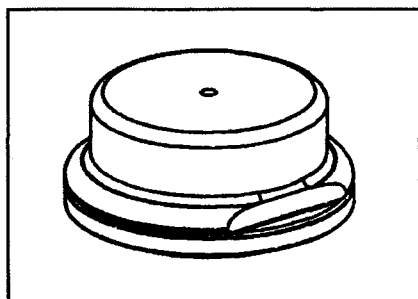


IP1112-1REVH 1/04  
 USE WITH PARTS LIST IP1112-2

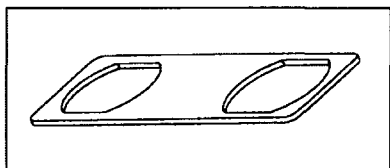
SEE REVERSE SIDE FOR ACCESSORIES  
 (NOT INCLUDED)

# 438S2R

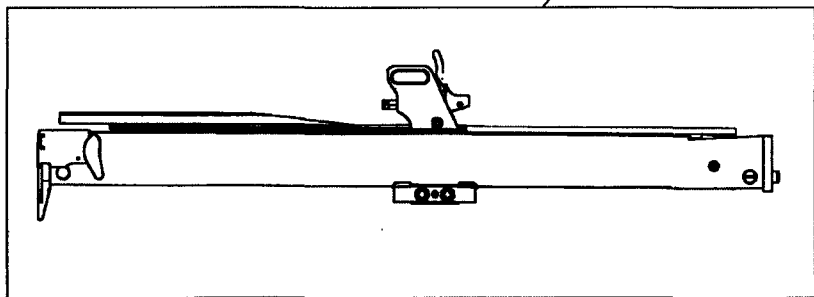
ACCESSORIES AVAILABLE / ACCESORIOS DISPONIBLES / ACCESSOIRES DISPONIBLES



96



95



94

# BOSTITCH

438S2R		Parts List:		IP1112-2REVR	
<b>To be Used with tool parts illustration:</b>					
<b>and operation and maintenance manual:</b>				104000	
<b>Serial Number on the Tool:</b>				438S2R 4044 000 and Higher	
ITEM	PART #	DESCRIPTION	ITEM	PART #	DESCRIPTION
1	100258	SCREW,SHCS,M4X0.7X35	54	106059	PIN,ROLL,M4X30MM
2	100263	PIN,SPIROL,M4X14MM	55	106097	LABEL,PATENT
3	100279	O-RING,1.612X.103	56	158612	LABEL,WARNING
4	101525	VALVE,ENERGY CONTROL	57	121168	FRAME (L/P)
5	102044	PIN,SPIROL 3MMX16MM	58	106292	CAP,END L/P
6	102167	LABEL,MAGAZINE CAPACITY	59	106334	PIN,SPIRAL 4X10MM
7	102168	SCREW,SPECIAL (MAGAZINE)	60	106474	TOP GUIDE
8	103208	TUBE,EXHAUST	61	106691	WASHER,SPECIAL M6
9	103211	SEAL,CHECK	62	106871	PIN,SPRING 4X32MM
10	103214	DRIVER,(1IN)	63	107072	TIP CORE (1.5IN)
11	103217	BRACKET,MAGAZINE	64	107129	O-RING,.268X.075
12	103218	BUSHING,TOGGLE PIN	65	850607	O-RING,1.484X.139
13	103219	ASSEMBLY,MAGAZINE 1.5IN	66	850628	O-RING,1.734X.139
14	103222	PUSHER (1IN)	67	851554	O-RING,.703X.103
15	103447	TOGGLE,MAGAZINE	68	MLW5	WASHER,HSLW M5
16	103549	SPRING,COVER	69	MPG030012	PIN,SPRING,M3X12MM
17	103558	LATCH,MAGAZINE	70	MSB5080-10	SCREW,SBHCS,M5X0.80X10
18	103601	SLEEVE,BRACKET	71	MSC5080-20	SCREW,SOC HD. CAP M5 X 20
19	103770	SPRING,COMPRESSION	72	MSC6100-35	SCREW,SHCS,M6X1.00X35
20	103791	HANDLE,PUSHER	73	CNTK2	KIT,CONTACT TRIP CONVERSION
21	103795	DISC,LATCH STOP	74	T50078	ANCHOR,PUSHER SPRING
22	103858	PIN,SPRING,4X20MM	75	T60024	PIN,SPECIAL(MAG NUT)
23	103993	BUMPER, TOP L/P	76	104069	PIN,NOSE
24	103994	PISTON	80	102197	O-RING,1.174 X .103
25	103995	CAP,SLEEVE L/P	80	SEQ5	KIT,SEQUENTIAL
26	158564	RING,PISTON	82	100387	SPRING,COMPRESSION
27	103997	SLEEVE,CYLINDER-L/P	83	110009	LABEL,POWER VALVE
28	103998	BUMPER,LOWER L/P (1")	84	105996	O-RING,.087X.059
29	103999	BULKHEAD,SLEEVE - L/P	86	101541	HEAD VALVE
30	104025	TRIP,ROOFING	87	102163	O-RING,.591X.059
31	104027	COVER,TRIP L/P	88	106173	STOP,TRIGGER
32	104931	CASTING,NOSE COVER	89	101540	SPRING,COMPRESSION
33	104064	PROTECTOR,FRONT FRAME L/P	90	101533	SEAL,EXHAUST
34	104066	SHINGLE GUIDE ASSY	91	101532	SEAL,HEAD VALVE
35	104067	BUSHING,MAGAZINE COVER	92	102197	O-RING,1.174 X .103
36	160198	NOSE,S2	93	102164	O-RING,.728X.059
37	104072	PROTECTOR,REAR FRAME	94	108212	ASSY,400/500 SERIES S2 LM
38	104339	ADJUSTER,TRIP	95	106427	WRENCH,SLEEVE CAP
39	104623	ARM,UPPER CONTACT	96	112604	CAP,WEIGHT-L/P
40	104974	WEARPLATE (1IN)	□		
41	104975	PLATE,NOSE			
42	105057	GASKET,END CAP L/P			
43	105070	EXHAUST DEFLECTOR			
44	105073	COVER,MAGAZINE			
45	105797	LABEL			
46	105932	ARM GUIDE ASSEMBLY			
47	105934	SPRING,COMPRESSION			
48	105959	WASHER,PISTON			
49	TVA9	KIT,STANDARD MODULE			
50	106051	SPRING,EXTENSION			
51	MHE5080-100	NUT,NYLON M5X.80			
52	MHE6100-100	NUT,ESN M6X1			
53	106058	PIN,SPRING,M3X32			