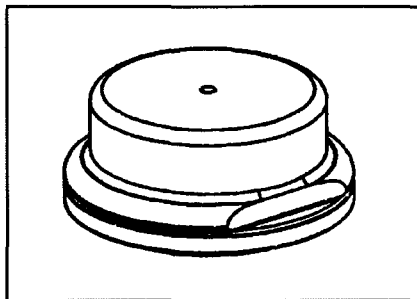
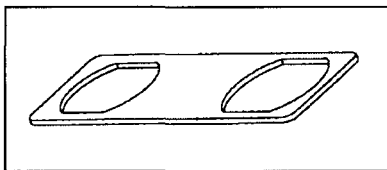


450S2

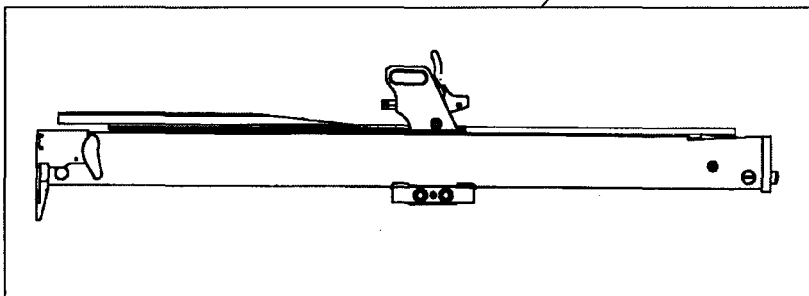
ACCESSORIES AVAILABLE / ACCESORIOS DISPONIBLES / ACCESSOIRES DISPONIBLES



95



94

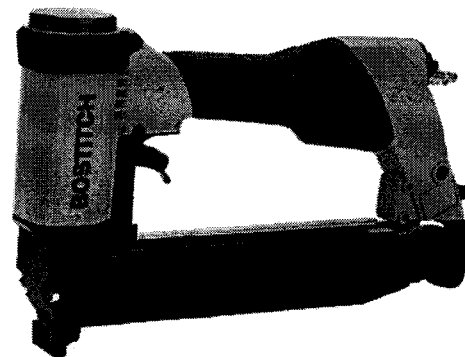


93

BOSTITCH

450S2

**PNEUMATIC STAPLER
ENGRAPADORA NEUMÁTICA
AGRAFEUSE PNEUMATIQUE**



**TOOL PARTS ILLUSTRATION
ILUSTRACIÓN DE LAS PIEZAS DE LA HERRAMIENTA
ILLUSTRATION DES PIÈCES D'OUTILLAGE**

⚠ WARNING:

⚠ ADVERTENCIA:

⚠ ATTENTION:

BEFORE PERFORMING REPAIRS ON THIS TOOL, ALL OPERATORS SHOULD STUDY THIS ILLUSTRATION, AS WELL AS THE PARTS LIST AND OPERATION AND MAINTENANCE MANUAL. OPERATORS SHOULD UNDERSTAND AND FOLLOW ALL SAFETY WARNINGS AND INSTRUCTIONS. KEEP THIS ILLUSTRATION WITH THE TOOL FOR FUTURE REFERENCE. IF YOU HAVE ANY QUESTIONS, CONTACT YOUR BOSTITCH REPRESENTATIVE DISTRIBUTOR.

ANTES DE LLEVAR A CABO CUALQUIER REPARACIÓN EN LA HERRAMIENTA, TODOS LOS OPERARIOS DEBERÁN ESTUDIAR ESTA ILUSTRACIÓN, ASÍ COMO LA LISTA DE PIEZAS Y EL MANUAL DE OPERACIÓN Y MANTENIMIENTO. LOS OPERARIOS DEBERÁN ENTENDER Y SEGUIR TODAS LAS ADVERTENCIAS E INSTRUCCIONES DE SEGURIDAD. CONSERVE ESTA ILUSTRACIÓN CON LA HERRAMIENTA PARA PODER CONSULTARLA EN LO FUTURO. SI TUVIERA ALGUNA PREGUNTA, PONGASE EN CONTACTO CON SU REPRESENTANTE O DISTRIBUIDOR DE BOSTITCH.

AVANT DE PROCÉDER À LA RÉPARATION DE CET OUTIL, LES OPÉRATEURS DOIVENT ÉTUDIER LA PRÉSENTE ILLUSTRATION AINSI QUE LA LISTE DE PIÈCES ET LE MANUEL D'INSTRUCTIONS ET D'ENTRETIEN ; ILS DOIVENT ÉGALEMENT COMPRENDRE ET OBSERVER LES CONSIGNES DE SÉCURITÉ ET LES INSTRUCTIONS. CONSERVER CETTE ILLUSTRATION AVEC L'OUTIL POUR RÉFÉRENCE FUTURE. SI VOUS AVEZ DES QUESTIONS, COMMUNIQUEZ AVEC VOTRE REPRESENTANT OU VOTRE DISTRIBUTEUR DE BOSTITCH.

BOSTITCH

STANLEY FASTENING SYSTEMS

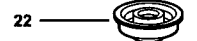
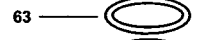
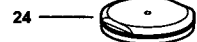
450S2

PNEUMATIC STAPLER

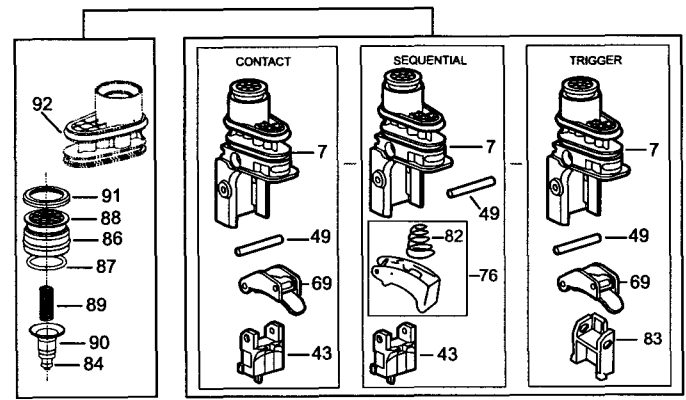
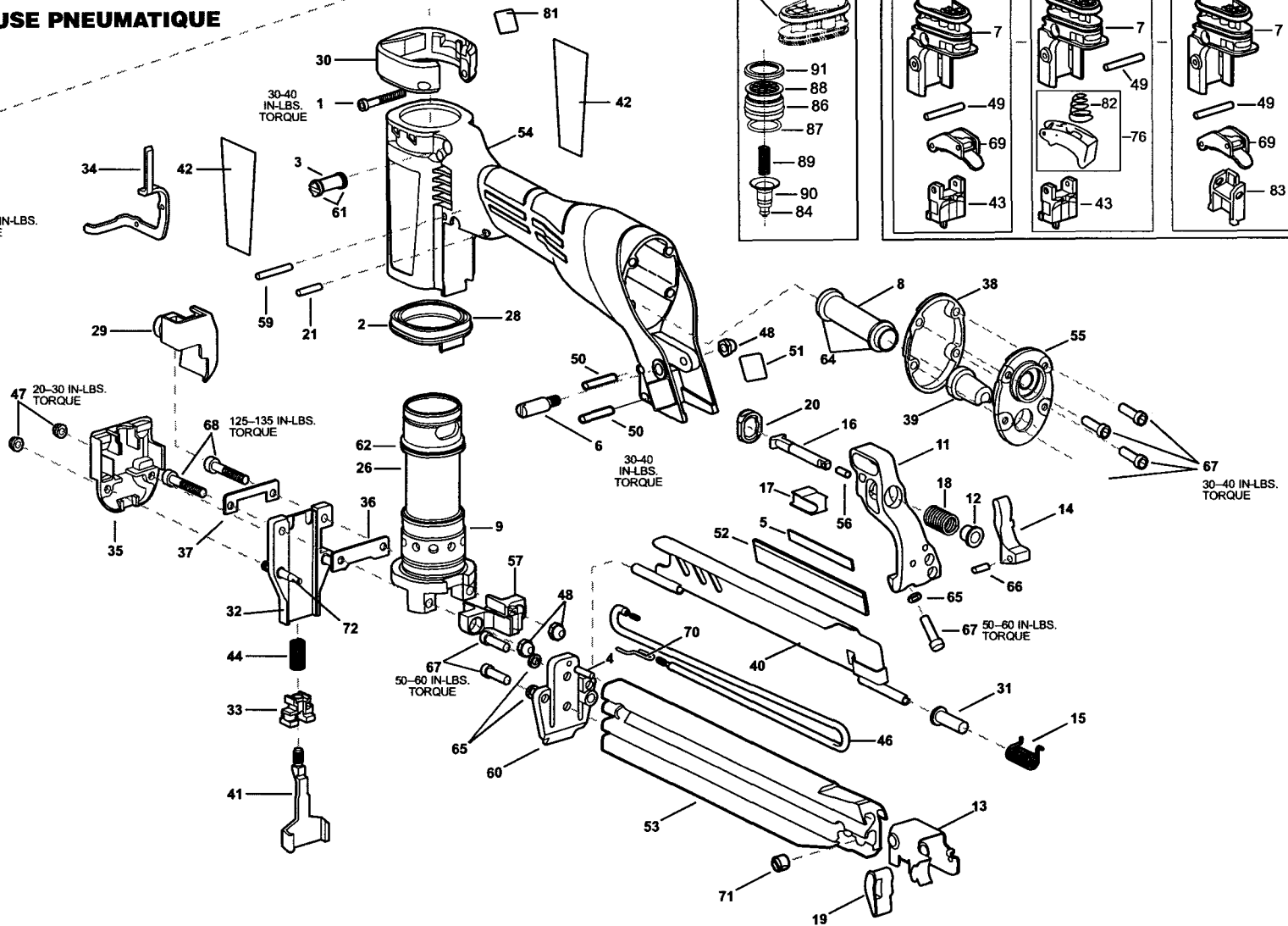
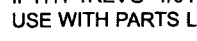
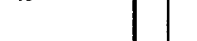
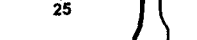
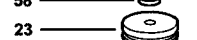
ENGRAPADORA NEUMÁTICA

AGRAFEUSE PNEUMATIQUE

250-300 IN-LBS.
TORQUE



100-110 IN-LBS.
TORQUE



BOSTITCH

450S2		Parts List:		IP1111-2REVP	
To be Used with tool parts illustration: and operation and maintenance manual:					
Serial Number on the Tool:				450S2 4044 000 and Higher	
ITEM	PART #	DESCRIPTION	ITEM	PART #	DESCRIPTION
1	100258	SCREW,SHCS,M4X0.7X35	54	121168	FRAME (L/P)
2	100279	O-RING,1.612X.103	55	106292	CAP,END L/P
3	101525	VALVE,ENERGY CONTROL	56	106334	PIN,SPIRAL 4X10MM
4	102044	PIN,SPIROL 3MMX16MM	57	106474	TOP GUIDE
5	102166	LABEL,MAGAZINE CAPACITY	58	106691	WASHER,SPECIAL M6
6	102168	SCREW,SPECIAL (MAGAZINE)	59	106871	PIN,SPRING 4X32MM
7	TVA9	KIT,STANDARD MODULE	60	107071	TIP,CORE (2")
8	103208	TUBE,EXHAUST	61	107129	O-RING,.268X.075
9	103211	SEAL,CHECK	62	850607	O-RING,1.484X.139
10	103214	DRIVER,(1IN)	63	850628	O-RING,1.734X.139
11	103217	BRACKET,MAGAZINE	64	851554	O-RING,.703X.103
12	103218	BUSHING,TOGGLE PIN	65	MLW5	WASHER,HSLW M5
13	103222	PUSHER (1IN)	66	MPG030012	PIN,SPRING,M3X12MM
14	103447	TOGGLE,MAGAZINE	67	MSC5080-20	SCREW,SOC HD. CAP M5 X 20
15	103549	SPRING,COVER	68	MSC6100-35	SCREW,SHCS,M6X1.00X35
16	103558	LATCH,MAGAZINE	69	CNTK2	KIT,CONTACT TRIP CONVERSION
17	103601	SLEEVE,BRACKET	70	T50078	ANCHOR,PUSHER SPRING
18	103770	SPRING,COMPRESSION	71	T60024	PIN,SPECIAL(MAG NUT)
19	103791	HANDLE,PUSHER	72	104069	PIN,NOSE
20	103795	DISC,LATCH STOP	76	SEQ5	KIT,SEQUENTIAL
21	103858	PIN,SPRING,4X20MM	81	110009	LABEL,POWER VALVE
22	103993	BUMPER,TOP L/P	82	100387	SPRING,COMPRESSION
23	103994	PISTON	83	106173	STOP,TRIGGER
24	103995	CAP,SLEEVE L/P	84	105996	O-RING,.087X.059
25	158564	RING,PISTON	86	102164	O-RING,.728X.059
26	103997	SLEEVE,CYLINDER-L/P	87	102163	O-RING,.591X.059
27	103998	BUMPER,LOWER L/P (1")	88	101541	HEAD VALVE
28	103999	BULKHEAD,SLEEVE - L/P	89	101540	SPRING,COMPRESSION
29	104027	COVER,TRIP L/P	90	101533	SEAL,EXHAUST
30	104064	PROTECTOR,FRONT FRAME L/P	91	101532	SEAL,HEAD VALVE
31	104067	BUSHING,MAGAZINE COVER	92	102197	O-RING,1.174 X .103
32	160198	NOSE,S2	93	108212	ASSY,400/500 SERIES S2 LM
33	104339	ADJUSTER,TRIP	94	106427	WRENCH,SLEEVE CAP
34	104623	ARM,UPPER CONTACT	95	112604	CAP,WEIGHT-L/P
35	104931	CASTING,NOSE COVER			
36	104974	WEARPLATE (1IN)			
37	104975	PLATE,NOSE			
38	105057	GASKET,END CAP L/P			
39	105070	EXHAUST DEFLECTOR			
40	105073	COVER,MAGAZINE			
41	105163	ARM,CONTACT			
42	105797	LABEL			
43	105932	ARM GUIDE ASSEMBLY			
44	105934	SPRING,COMPRESSION			
45	105959	WASHER,PISTON			
46	106051	SPRING,EXTENSION			
47	MHE5080-100	NUT,NYLON M5X.80			
48	MHE6100-100	NUT,ESN M6X1			
49	106058	PIN,SPRING,M3X32			
50	106059	PIN,ROLL,M4X30MM			
51	106097	LABEL,PATENT			
52	158612	LABEL,WARNING			
53	106172	ASSEMBLY,MAGAZINE,2IN			