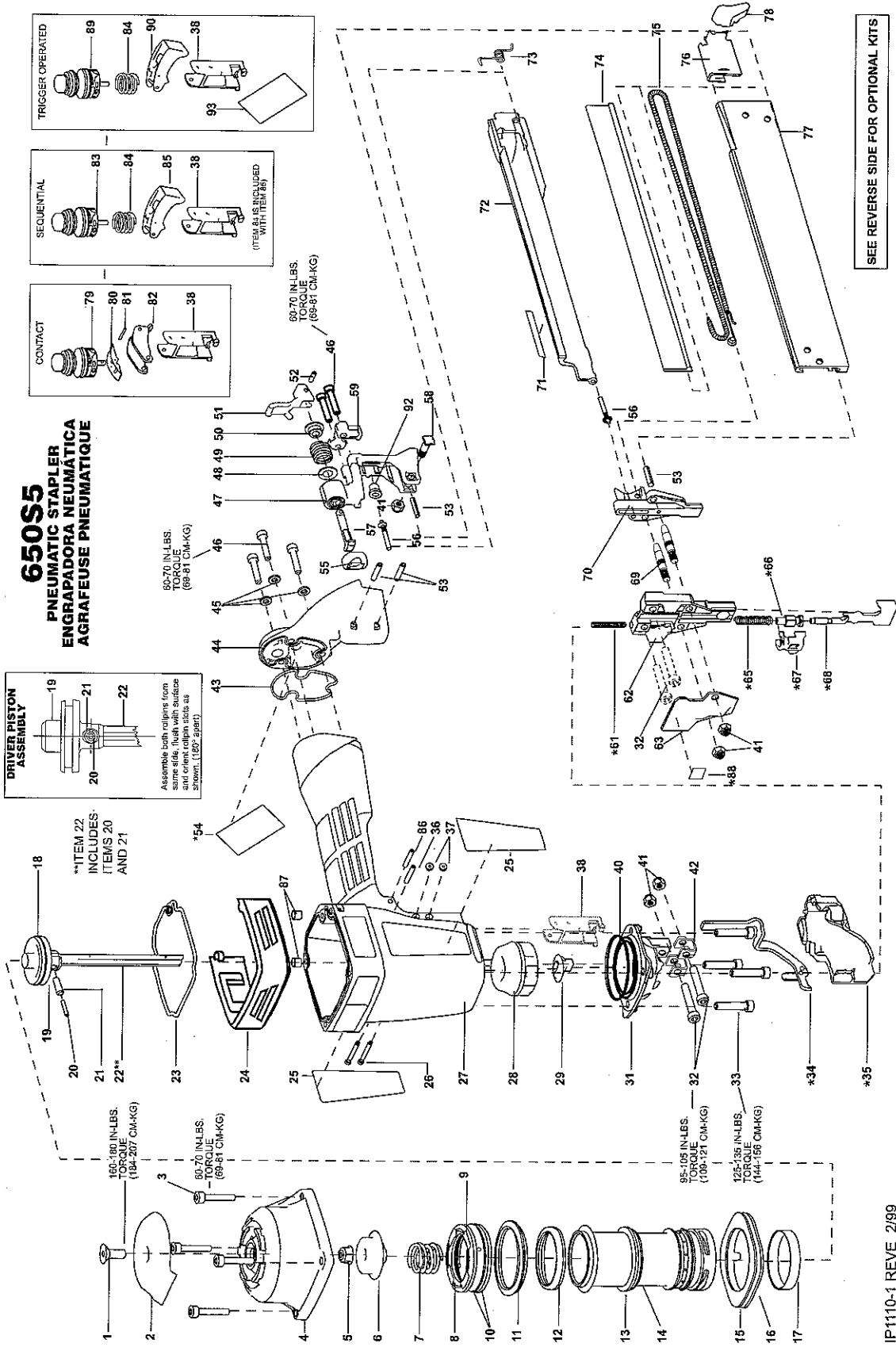


650S5

PNEUMATIC STAPLER
ENGRAPADORA NEUMÁTICA
AGRAFEUSE PNEUMATIQUE



TO SAVE FOR FUTURE REFERENCE:
 To file this illustration in a ring binder, cut on the above line and punch holes where indicated on the other end of this sheet.

SEE REVERSE SIDE FOR OPTIONAL KITS

* NOT USED FOR TRIGGER OPERATED TOOLS

IP1110-1 REVE 2/99
 USE WITH PARTS LIST IP1110-2

Stanley Fastening Systems

650S5		Parts List: IP1110-2REVJ			
		To be Used with tool parts illustration:		IP1110-1REVD	
		and operation and maintenance manual:		105805	
		Serial Number on the Tool:		650S5 8278 000 and Higher	
ITEM	PART #	DESCRIPTION	ITEM	PART #	DESCRIPTION
1	105749	SCREW,SFHCS,M8x1.25x20	56	103768	PIN,MAGAZINE COVER
2	104585	DEFLECTOR	57	105780	PIN,LATCH
3	102755	SCREW,SHCS,M5X0.80X30	58	103851	BOLT,SQUARE(SPECIAL)
4	105787	CAP,FRAME CYL.	59	103776	MAGAZINE STOP
5	103859	NUT,HFN,M8X1.25	61	107310	SPRING,C.T.,INNER
6	105812	BUMPER, TOP,650	62	107219	NOSE,650S5
7	103767	SPRING,HEAD VALVE	63	103871	COVER,CONTACT ARM
8	104569	VALVE,HEAD	65	105784	SPRING,C.T.,OUTER-650
9	MRG039231	O-RING,1.543X.125	66	103865	NUT,ADJUSTING
10	105814	O-RING,1.929X.098	67	103864	ADAPTER
11	104617	RETAINER,CYL.SLEEVE	68	103793	ARM,LOWER CONTACT
12	104594	SEAL,CYLINDER	69	103838	PIN,NOSE
13	105816	O-RING,1.674X.103	70	103873	CORE TIP,650S5
14	105796	CYLINDER	71	105799	LABEL,MODEL,650S5
15	105815	O-RING,2.359 X .139	72	104600	COVER,MAGAZINE
16	104580	RING,CYLINDER SLEEVE	73	103839	SPRING,TORSION
17	104588	SEAL,CHECK	74	103812	COVER,CORE,S5
18	105817	O-RING,1.234x.139 URETHANE	75	104613	SPRING,PUSHER ASSEMBLY
19	103881	PISTON	76	103846	PUSHER,S5
20	UB2111.2	PIN,SPRING,.125X.69	77	105793	CORE ASSEMBLY
21	UB4809.1	PIN,SPRING,.219X.69	78	103791	HANDLE,PUSHER
22	106079	KIT,DRIVER REPLACEMENT-650S5	79	STV2	KIT,TRIGGER VALVE-SPEED STEM
23	104620	SEAL,CYLINDER CAP	80	T55092	ROCKER,TRIGGER
24	107148	PROTECTOR,FRAME	81	MPD016012	PIN,DOWEL,.062X.459
25	106344	LABEL,STANLEY-BOSTITCH LOGO	82	100607	ASSEMBLY,TRIGGER
26	105811	SCREW,TRIGGER PIVOT	83	TVA6	KIT,TRIGGER VALVE
27	107183	FRAME,OVERMOLD	84	100387	SPRING, COMPRESSION
28	104574	BUMPER,BOTTOM	85	SEQ2	KIT,SEQ TRIP CONV.
29	103803	GUIDE,DRIVER,750S5	86	MPP030020	PIN,SPIROL M3X20MM
30	104609	BOTTOM,FRAME,MACHINING	87	105778	SLEEVE,FRAME GUARD
31	MSC6100-35	SCREW,SHCS,M6X1.00X35	88	851934	LABEL, TRIP ADJ.
32	MSC6100-30	SCREW,SHCS,M6X1.00X30	89	106869	KIT,TRIGGER VALVE
33	105775	ARM,UPPER CONTACT ASSY	90	107191	TRIGGER OPER TRIGGER ASSY
34	105818	COVER,CONTACT ARM ASSY	92	106961	BEARING,COVER PIN
35	100298	PIN,SPRING,M3X30MM	93	106833	LABEL,WARNING,TRIGGER OPER
36	MHE3050-100	NUT,ESN,M3X0.5	94	107306	KIT,WEIGHT ATTACHMENT-650
37	106954	UPPER TRIP GUIDE ASSY,650			
38	851483	O-RING,1.739X.070			
39	MHE6100-100	NUT,ESN M6X1			
40	105782	BRACE,LUG			
41	104619	SEAL,END CAP			
42	105789	CAP,FRAME END			
43	T50118	WASHER,PWW M5			
44	MSC5080-25	SCREW,SHCS,M5X0.80X25			
45	103786	CAP,MAGAZINE END			
46	104612	WASHER			
47	105786	SPRING,LATCH LEVER			
48	103806	BUSHING,SPRING			
49	103447	TOGGLE,MAGAZINE			
50	MPG030012	PIN,SPRING,M3X12MM			
51	103858	PIN,SPRING,4X20MM			
52	105809	LABEL,WARNING			
53	103795	DISC,LATCH STOP			