

ACCESSORIES AVAILABLE
ACCESORIOS DISPONIBLES
ACCESSOIRES DISPONIBLES

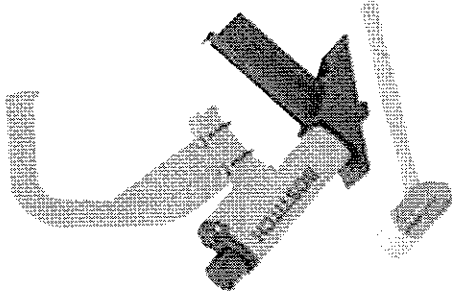
76 - MIII FOOT-KIT



BOSTITCH®

MIIIF

FLOORING STAPLER
GRAPADORA DE PISOS
AGRAFEUSE DE PLANCHER



TOOL PARTS ILLUSTRATION
ILUSTRACION DE LAS PIEZAS DE LA HERRAMIENTA
ILLUSTRATION DES PIÈCES D'OUTILLAGE

⚠WARNING:

BEFORE PERFORMING REPAIRS ON THIS TOOL, ALL OPERATORS SHOULD STUDY THIS ILLUSTRATION, AS WELL AS THE PARTS LIST AND OPERATION AND MAINTENANCE MANUAL. OPERATORS SHOULD UNDERSTAND AND FOLLOW ALL SAFETY WARNINGS AND INSTRUCTIONS. KEEP THIS ILLUSTRATION WITH THE TOOL FOR FUTURE REFERENCE. IF YOU HAVE ANY QUESTIONS, CONTACT YOUR BOSTITCH REPRESENTATIVE DISTRIBUTOR.

ANTES DE LLEVAR A CABO CUALQUIER REPARACIÓN EN LA HERRAMIENTA, TODOS LOS OPERARIOS DEBERÁN ESTUDIAR ESTA ILUSTRACIÓN, ASÍ COMO LA LISTA DE PIEZAS Y EL MANUAL DE OPERACIÓN Y MANTENIMIENTO. LOS OPERARIOS DEBERÁN ENTENDER Y SEGUIR TODAS LAS ADVERTENCIAS E INSTRUCCIONES DE SEGURIDAD. CONSERVE ESTA ILUSTRACIÓN CON LA HERRAMIENTA PARA PODER CONSULTARLA EN LO FUTURO. SI TUVIERA ALGUNA PREGUNTA, PÓNGASE EN CONTACTO CON SU REPRESENTANTE O DISTRIBUIDOR DE BOSTITCH.

AVANT DE PROCÉDER À LA RÉPARATION DE CET OUTIL, LES OPÉRATEURS DOIVENT ÉTUDDIER LA PRÉSENTE ILLUSTRATION AINSI QUE LA LISTE DE PIÈCES ET LE MANUEL D'INSTRUCTION S ET D'ENTRETIEN ; ILS DOIVENT ÉGALEMENT COMPRENDRE ET OBSERVER LES CONSIGNES DE SÉCURITÉ ET LES INSTRUCTIONS. CONSERVER CETTE ILLUSTRATION AVEC L'OUTIL POUR RÉFÉRENCE FUTURE. SI VOUS AVEZ DES QUESTIONS, COMMUNIQUEZ AVEC VOTRE REPRESENTANT OU VOTRE DISTRIBUTEUR DE BOSTITCH.

⚠ADVERTENCIA:

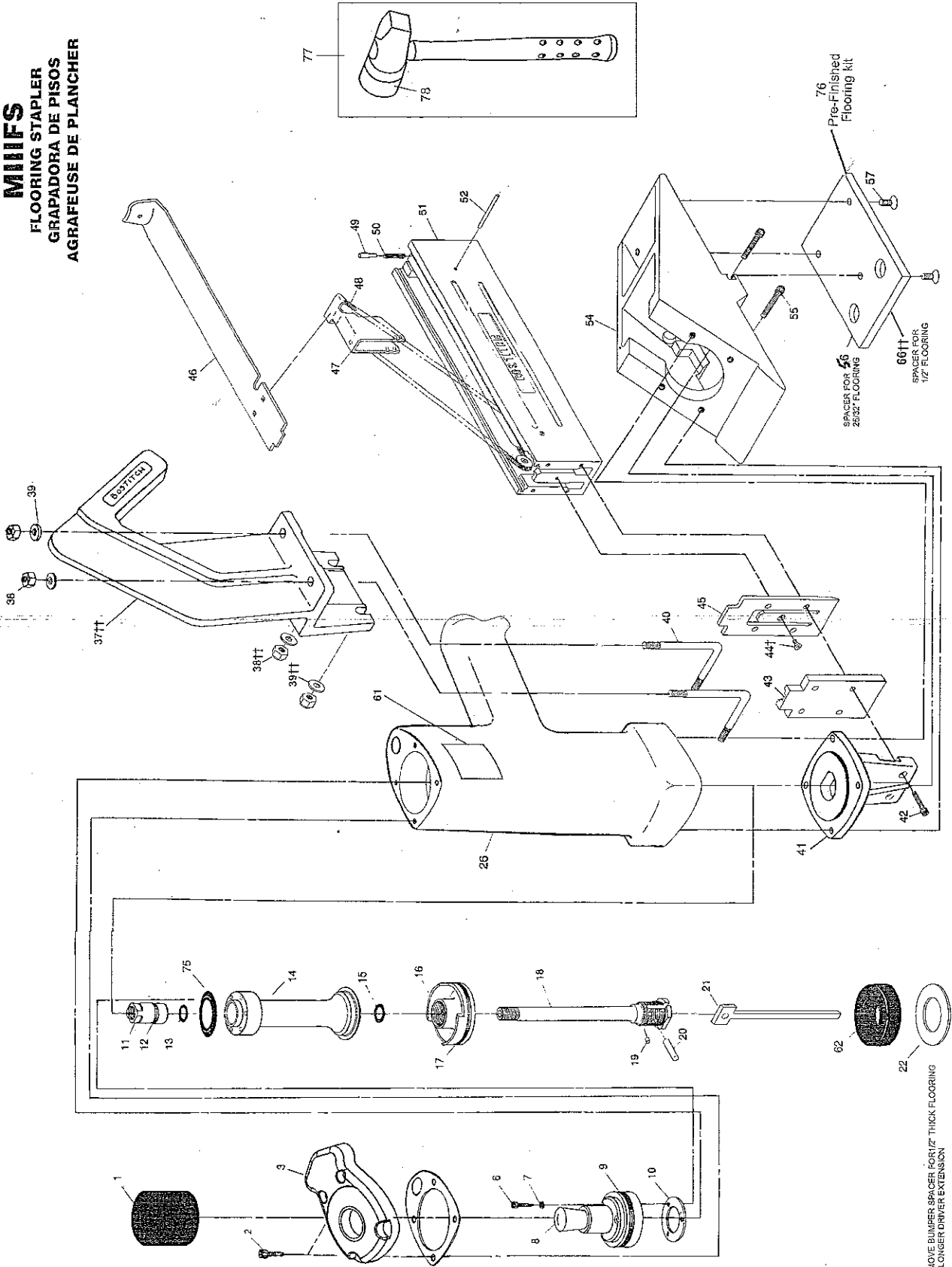
⚠ATTENTION:

BOSTITCH®

Stanley Fastening Systems L.P.

IP1084-1REV.M 7/05

MIIIFS
FLOORING STAPLER
GRAPADORA DE PISOS
AGRAFEUSE DE PLANCHER



REMOVE BUMPER SPACER FOR 1/2" THICK FLOORING OR LONGER DRIVER EXTENSION.

† Loctite 242 available as part # 851385.
 †† Items are included with tool, not installed.

BOSTITCH

	MIIIIFS	Parts List:	IP1084-2REVR		
		To be Used with tool parts illustration:	IP1084-1REVL		
		and operation and maintenance manual:	103697		
		Serial Number on the Tool:	MIIIIFS 5019 000 and Higher		
ITEM	PART #	DESCRIPTION	ITEM	PART #	DESCRIPTION
1	87502	HAMMER FACE			
2	UA3810.4	SCREW,10-24 X 5/8 SHCS			
3	117524	CAP,FRAME			
4	88445	O-RING,.984X.139			
6	UA2810	SCREW,SHCS,8-32X5/8			
7	LW8.2	WASHER, LOCK			
8	BC1295	POPPET ACTUATOR			
9	86460	O-RING,1.859X.139			
10	BC701	GASKET,POPPET PISTON			
11	BC703	PLUNGER			
12	850144	O-RING,.614X.070			
13	86458	O-RING,.489X.070			
14	121800	POPPET			
15	850143	O-RING,.487X.103			
16	BC1175	DRIVER PISTON			
17	850626	O-RING,1.984X.139			
18	BC1455	PISTON STEM			
19	BC347	NYLON INSERT			
20	UB4112.3	PIN, DOWEL .250 X .75			
21	BC1586	DRIVER BLADE			
22	118076	SPACER,BUMPER			
26	BC1328AFS	BODY			
37	BC1619	HANDLE, LONG			
38	HN1420.4	NUT,ESN,1/4-20			
39	PW14	WASHER,1/4 USS FLAT BLK Z			
40	BC1301	CLAMP SCREW			
41	BC964B	NOSE,MIII (S4)			
42	UA3816.4	SCREW,SHCS,10-24X1			
43	100104	BLADE GUIDE			
44	UA1806.8	SCREW,SFHCS,6-32X3/8			
45	BC1298	WEAR PLATE			
46	BC690	COVER,MAGAZINE			
47	BC1158	PUSHER			
48	BC1159	SPRING,EXTENSION			
49	BC34	MAG.COVER LATCH SHOULDER PIN			
50	BC41	SPRING,COVER DETENT			
51	BC983A	ASSEMBLY,MAGAZINE BODY			
52	UB2822	PIN,SPRING ANCHOR			
54	BC1300	SHOE			
55	UA4820.1	SCREW,1/4-20X1-1/4 SHCS			
56	105055	SPACER,1/4			
57	UA4808.13	SCREW,SFHCS,1/4-20X1/2			
58	86314	O-RING,.864X.070			
61	159920	LABEL,WARNING,MIII			
62	105043	BUMPER			
66	105056	SPACER,5/16			
75	121799	O-RING,1.287 X .210			
76	MIIIIFOOT-KIT	KIT,PREFINISHED FLOORING			
77	104301	MALLET			
78	CL80-22541	RUBBER END CAP			
□					