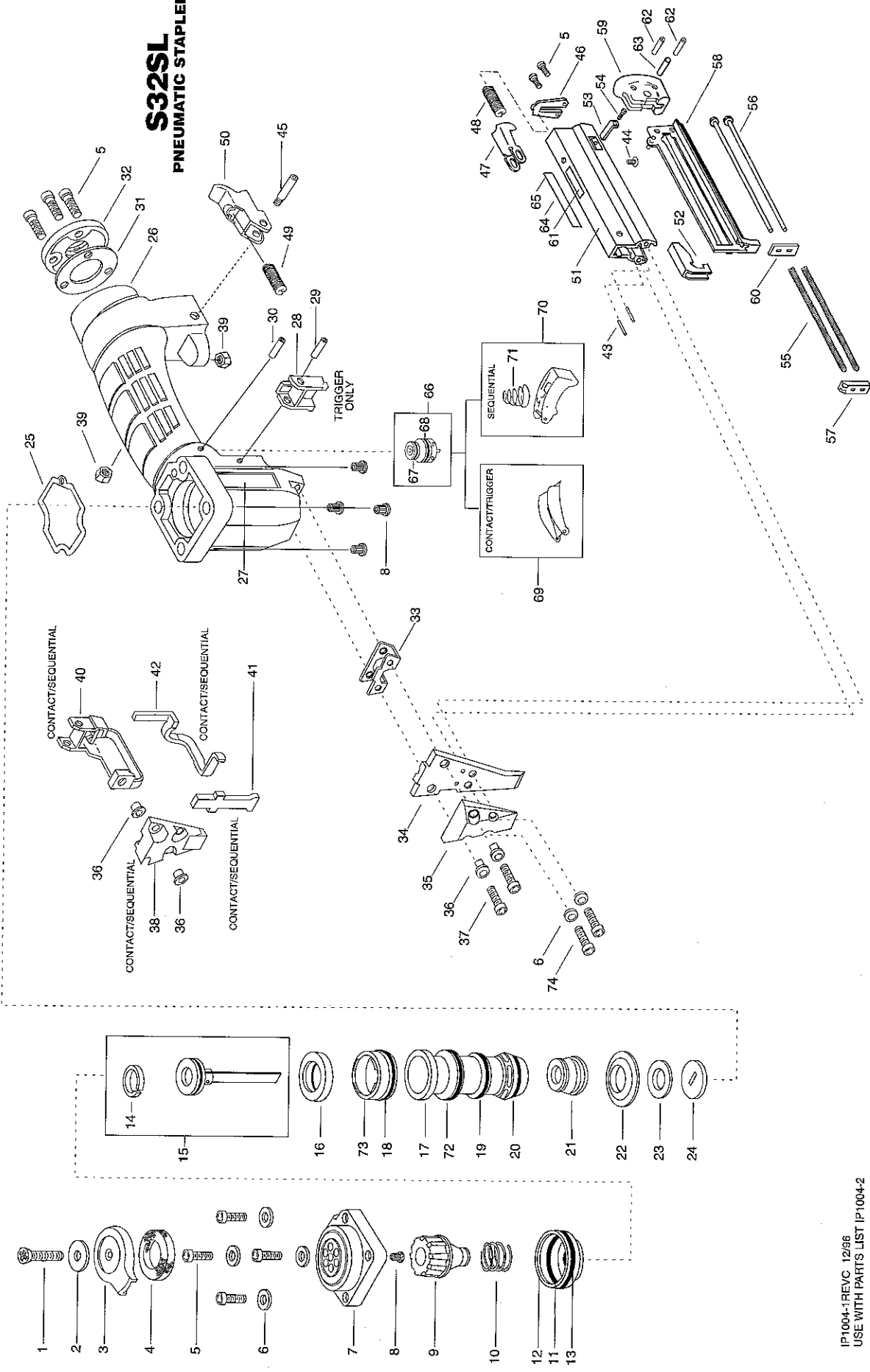


TO SAVE FOR FUTURE REFERENCE:
To fit this illustration in a ring binder, cut on the above line and punch holes where indicated on the other end of this sheet.

S32SL PNEUMATIC STAPLER



IP1004-1 REVC. 12/96
USE WITH PARTS LIST IP1004-2

S32SL		Parts List:		IP1004-2REVL	
		To be Used with tool parts illustration:		IP1004-1REVC	
		and operation and maintenance manual:		103693	
		Serial Number on the Tool:		S32SL 9067 000 and Higher	
ITEM	PART #	DESCRIPTION	ITEM	PART #	DESCRIPTION
1	100297	SCREW,CRFCHS,M4X0.7X25	54	MSC4070-8	SCREW,SHCS,M4X0.70X8
2	S32030	WASHER, SPECIAL	55	S32065	SPRING,EXTENTION
3	S32032	COVER,EXHAUST	56	S32061A	ASSEMBLY,SPRING ROD
4	S32045	MUFFLER	57	S32100	SUPPORT,ROD
5	100260	SCREW, SOC. HD. CAP M4 X 20	58	S32078A	ASSEMBLY,CORE SLIDE
6	S32186	WASHER, SPECIAL	59	S32063	END,CORE
7	T32010	CAP,FRAME	60	S32178	WASHER,PUSHER SPRING
8	S32011	INSERT,M4	61	100300	LABEL,S32SL MAG.CAPACITY
9	T32007	BUMPER, PISTON STOP	62	100263	PIN,SPIROL,M4X14MM
10	T32028	SPRING,HEAD VALVE	63	100264	PIN,SPIROL,,1875X.500
11	MR020020,108572	O-RING,26MMX2MM	64	100151	LABEL, WARNING CT/ST
12	T32014	HEAD VALVE	65	100152	LABEL,WARNING T.O.
13	MR035029,108573	O-RING,1.378X.079	66	TVA5	KIT,S32/BT TRIGGER VLV
14	S32109	RING,PISTON	67	86459	O-RING, 614X.070
15	S32084A	ASSEMBLY,DRIVER/PISTON	68	851554	O-RING, 703X.103
16	T32031	SEAL,CYLINDER SLEEVE	69	N50082A	ASSEMBLY,TRIGGER
17	S32208	SLEEVE,CYLINDER	70	SEQ2	KIT,SEQ TRIP CONV.
18	RG161210	O-RING,1.612X.103	71	100387	SPRING, COMPRESSION
19	T32080	SEAL, CHECK	72	100817	O-RING,1.299X.103
20	100353	O-RING,1.301X.070	73	S32211	RING,CYLINDER SLEEVE
21	102882	BUMPER	74	105235	SCREW,SOC.HD.CAP.M4 X 25
22	S32187	PLATE, FRAME	0		
23	S32001	WASHER,SPECIAL			
24	S32088	GUIDE,DRIVER			
25	T32046	GASKET,FRAME/CAP			
26	T32008A	FRAME			
27	108388	LABEL,STANLEY-BOSTITCH			
28	106173	STOP,TRIGGER			
29	100298	PIN,SPRING,M3X30MM			
30	102549	PIN,SPECIAL SPIRAL			
31	S32141	GASKET, END CAP			
32	S32140	CAP,END			
33	S32017A	ASSEMBLY, NUT PLATE			
34	T32106	NOSE			
35	S32182	COVER,NOSE			
36	S32184	SPACER			
37	100258	SCREW,SHCS,M4X0.7X35			
38	S32121	GUARD,ARM			
39	MHE4070-100	NUT,ESN M4 X 0.7			
40	S32122A	ASSEMBLY,ARM GUIDE			
41	S32120	ARM,LOWER CONTACT			
42	S32127	ARM,UPPER CONTACT			
43	FF21256	PIN,ROLL,M2X10MM			
44	100364	SCREW,SFHCS,M4X0.7X14			
45	S32066	PIN,SPECIAL			
46	S32072	PLATE,SPRING			
47	S32009	LATCH MAGAZINE			
48	T27160	SPRING,COMPRESSION			
49	S32024	SPRING,COMPRESSION			
50	S32025	HANDLE,LATCH			
51	S32082	MAGAZINE			
52	S32096	PUSHER			
53	S32177	STOP,CORE			