

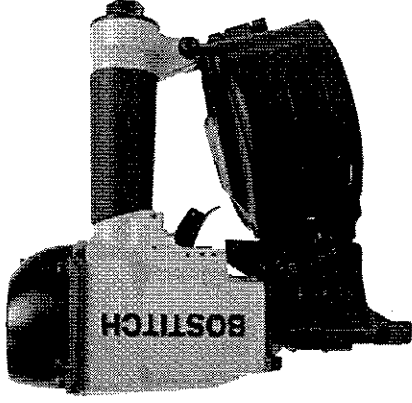
**ACCESSORIES AVAILABLE
ACCESORIOS DISPONIBLES
ACCESSOIRES DISPONIBLES**

- BC601 4 oz. Bostitch Air -Tool Lubricant
- BC602 1 pint Bostitch Air -Tool Lubricant
- BC603 1 pint Bostitch "Winter-Formula" Air-Tool Lubricant
- BC604 1 quart Bostitch Air -Tool Lubricant
- 851385 Loctite Grade 242 (.02 oz.)

BOSTITCH®

N58C

**COIL-FED PNEUMATIC NAILER
CLAVADORA NEUMÁTICA ALIMENTADA POR ROLLO
CLOUEUR PNEUMATIQUE À ENROULEMENT**



**TOOL PARTS ILLUSTRATION
ILUSTRACIÓN DE LAS PIEZAS DE LA HERRAMIENTA
ILLUSTRATION DES PIÈCES D'OUTILLAGE**

⚠ WARNING:

BEFORE PERFORMING REPAIRS ON THIS TOOL, ALL OPERATORS SHOULD STUDY THIS ILLUSTRATION, AS WELL AS THE PARTS LIST AND OPERATION AND MAINTENANCE MANUAL. OPERATORS SHOULD UNDERSTAND AND FOLLOW ALL SAFETY WARNINGS AND INSTRUCTIONS. KEEP THIS ILLUSTRATION WITH THE TOOL FOR FUTURE REFERENCE. IF YOU HAVE ANY QUESTIONS, CONTACT YOUR BOSTITCH REPRESENTATIVE OR DISTRIBUTOR.

⚠ ADVERTENCIA:

ANTES DE LLEVAR A CABO CUALQUIER REPARACIÓN EN LA HERRAMIENTA, TODOS LOS OPERARIOS DEBERÁN ESTUDIAR ESTA ILLUSTRACIÓN, ASÍ COMO LA LISTA DE PIEZAS Y EL MANUAL DE OPERACIÓN Y MANTENIMIENTO. LOS OPERARIOS DEBERÁN ENTENDER Y SEGUIR TODAS LAS ADVERTENCIAS E INSTRUCCIONES DE SEGURIDAD. CONSERVE ESTA ILLUSTRACIÓN CON LA HERRAMIENTA PARA PODER CONSULTARLA EN LO FUTURO. SI TUVIERA ALGUNA PREGUNTA, PONGASE EN CONTACTO CON SU REPRESENTANTE O DISTRIBUIDOR DE BOSTITCH.

AVANT DE PROCÉDER À LA RÉPARATION DE CET OUTIL, LES OPÉRATEURS DOIVENT ÉTUDIER LA PRÉSENTE ILLUSTRATION AINSI QUE LA LISTE DE PIÈCES ET LE MANUEL D'INSTRUCTIONS ET D'ENTRETIEN ; ILS DOIVENT ÉGALEMENT COMPRENDRE ET OBSERVER LES CONSIGNES DE SÉCURITÉ ET LES INSTRUCTIONS. CONSERVER CETTE ILLUSTRATION AVEC L'OUTIL POUR RÉFÉRENCE FUTURE. SI VOUS AVEZ DES QUESTIONS, COMMUNIQUEZ AVEC VOTRE REPRÉSENTANT OU VOTRE DISTRIBUTEUR DE BOSTITCH.

BOSTITCH®
Stanley Fastening Systems L.P.

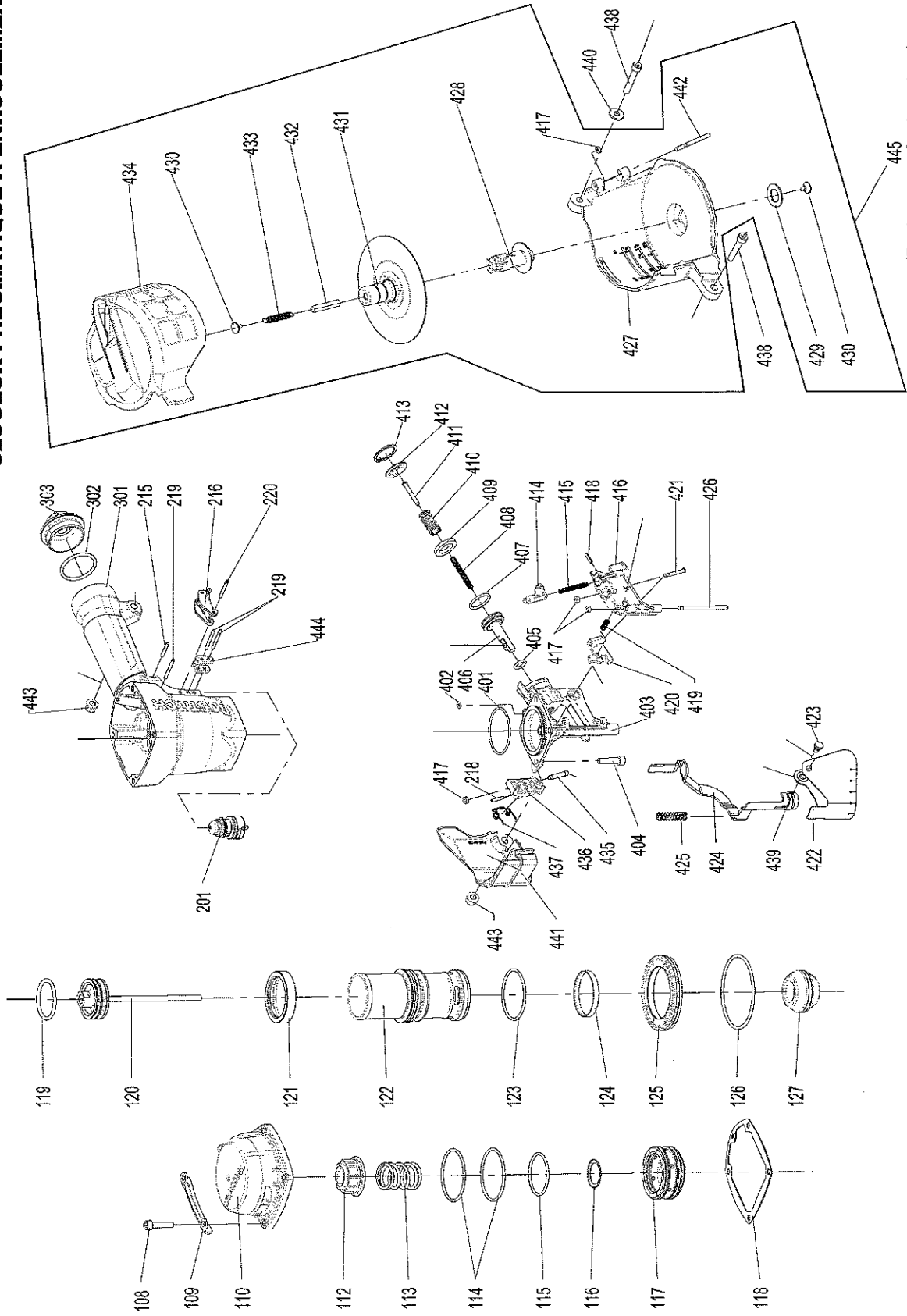
IP1192-1REV B 8/05

N58C

COIL-FED PNEUMATIC NAILER

CLAVADORA NEUMÁTICA ALIMENTADA POR ROLLO
CLOUEUR PNEUMATIQUE À ENROULEMENT

See reverse side for available accessories (not included)



BOSTITCH

| N58C | | Parts List: IP1192-2REVB | |
|--|---------------|-----------------------------------|---|
| To be Used with tool parts illustration: IP1192-1REVB | | | |
| and operation and maintenance manual: 165360 | | | |
| | | Serial Number on the Tool: | |
| | | N58C 5 245 000 and Higher | |
| ITEM | PART # | DESCRIPTION | DESCRIPTION |
| 108 | MSC6100-30 | SCREW,SHCS,M6X1.00X25 | 412 11366-0954701 SPRING COLLAR |
| 109 | 11397-0954701 | PROTECTOR, TOP FRAME | 413 MRB026 RETAINING RING, METRIC |
| 110 | 7USSB-3085001 | CAP, SERVICE | 414 N70150 LATCH DOOR |
| 112 | 11370-0950001 | BUMPER, TOP | 415 101408 SPRING, COMPRESSION |
| 113 | 854016 | SPRING, HEAD VALVE | 416 11361-0954701 DOOR |
| 114 | 2041104-06050 | O - RING | 417 854004 WASHER |
| 115 | 2041109-05100 | O - RING | 418 MPP030012 PIN, SPIROL |
| 116 | 11381-0950002 | WASHER | 419 854011 COMPRESSION SPRING |
| 117 | 11368-0950002 | HEAD VALVE | 420 11358-0954701 PAWL CHECK |
| 118 | 11302-0954701 | SEAL, CYLINDER CAP | 421 N55023 PIN, SPECIAL (STEP) |
| 119 | 850607 | O-RING, 1.484X.139 | 422 11383-0950001 SHIELD, DUST |
| 120 | 11204-0950001 | ASSEMBLY, DRIVER/PISTON | 423 1134B-0864701 PLUG, DUST SHIELD |
| 121 | 11399-0954701 | SEAL, CYLINDER | 424 11330-0954701 ARM, CONTACT |
| 122 | 11320-0950002 | SLEEVE, CYLINDER | 425 11337-0954701 SPRING, COMPRESSION |
| 123 | 850006 | O-RING, 1.987X.103 | 426 N55022 PIN, SPECIAL |
| 124 | T60021 | SEAL, CHECK | 427 11354-0954701 CASE, CANISTER |
| 125 | 11321-0950001 | RING, CYLINDER | 428 11357-0954701 POST, CANISTER |
| 126 | 2041101-08020 | O - RING | 429 1138Y-0954701 RING, RUBBER |
| 127 | 11327-0954701 | BUMPER | 430 1134M-0864701 BASE, SPRING |
| 201 | TVA6 | KIT, TRIGGER VALVE | 431 11356-0950001 SPACER |
| 215 | MPP030020 | PIN, SPIRAL, M3X20MM | 432 1138W-0860001 SPACER |
| 216 | CNTK2 | KIT, CONTACT TRIP CONVERSION | 433 11328-0860001 SPRING, PULL |
| 217* | SEQ6 | KIT, SEQUENTIAL | 434 11355-0954701 COVER, CANISTER |
| 218 | MPP030016 | PIN, SPIRAL, M3X16MM | 435 N50087 PIN, SPECIAL (STEP) |
| 219 | 100298 | PIN, SPIRAL, M3X30MM | 436 11306-0954701 FEED PAWL |
| 220 | 100298 | PIN, SPIRAL, M3X30MM | 437 854023 SPRING, TORSION |
| 301 | 11230-0958001 | FRAME | 438 MSC6100-40 SCREW, SOC. HD. CAP M6X1.00X40 |
| 302 | 2041101-04020 | O - RING | 439 1135U-0864701 WASHER, PROTECTOR |
| 303 | 11346-0954302 | CAP, END | 440 MPW6.2 WASHER, SPECIAL |
| 401 | 2041109-05110 | O - RING | 441 1134R-0954701 GUARD |
| 402 | 2041108-01010 | O - RING | 442 1136R-0954701 PIN, CANISTER |
| 403 | 11382-0954701 | CASTING, NOSE | 443 2040501-04010 CAP, BOLT |
| 404 | MSC6100-25 | SCREW, SHCS, M6X1.00X25 | 444 11338-0954701 GUIDE, ARM |
| 405 | MRG009824 | O-RING, .388X.094 | 445 7USSB-2095004 ASSEMBLY, CANISTER N58C |
| 406 | 11364-0954701 | FEED PISTON | □ |
| 407 | 851437 | O-RING, .819X.095 | |
| 408 | 11367-0954702 | SPRING, COMPRESSION | |
| 409 | 101723 | BUMPER, FEED PISTON | ACCESSORIES AVAILABLE |
| 410 | 11367-0954701 | SPRING, COMPRESSION | BC601 4 OZ. BOSTITCH AIR-TOOL LUBRICANT |
| 411 | 11395-0954701 | SPRING GUIDE | BC602 1 PINT BOSTITCH AIR-TOOL LUBRICANT |
| | | | BC603 1 PINT BOSTITCH "WINTER-FORMULA" AIR-TOOL LUBRICANT |
| | | | BC604 1 QUART BOSTITCH AIR-TOOL LUBRICANT |
| | | | 100679 O-RING LUBE (1 LB. CAN) |
| | | | 851325 LOCITE GRADE 271 (.02 OZ.) |
| | | | 851385 LOCITE GRADE 242 (.02 OZ.) |
| | | | CNTK2 KIT, CONTACT TRIP CONVERSION (BLACK TRIGGER) |
| | | | TVA6 TRIGGER VALVE ASSEMBLY |
| | | | SEQ6 KIT, SEQUENTIAL TRIP CONVERSION (GRAY TRIGGER) |